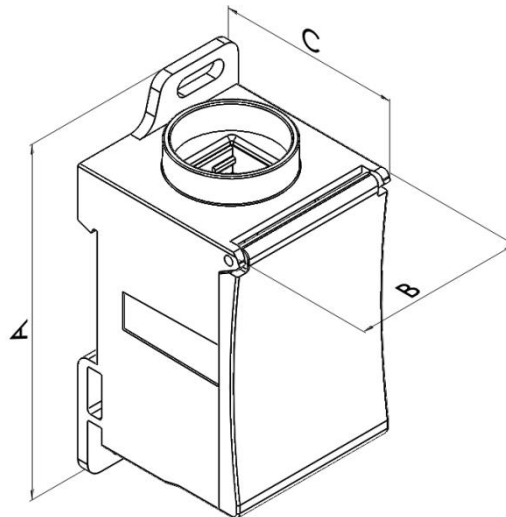


Product Datasheet

RPU3010



Main

Family	Compact Distribution Blocks	
Version	1 Pole	
Code	RPU3010	
Reference	RPU 250-11 S	
Number per package	1	
In(A)	IEC/EN	250 A
	UL	230 A
Weight (Kg)	0.331	
A (mm)	96	
B (mm)	47	
C (mm)	50	

Technical Data

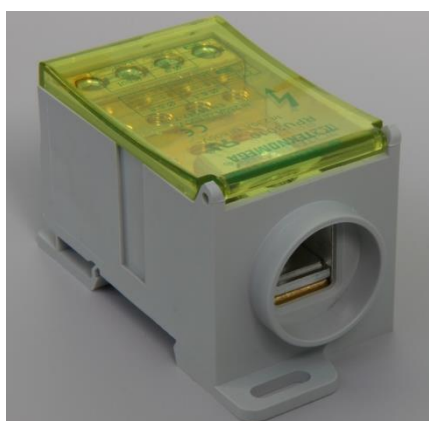
Type	1 Pole 11 outputs 250 A					
250 A	COFLEX* L(mm)	Stripped wire (mm ²)	Wire with ferrule (mm ²)	No.	Dim. (mm)	Tight. Torque (Nm)
IN	13 – 15.5	35 ÷ 120	35 ÷ 95	1	16x14	14
OUT	-	6 ÷ 35	6 ÷ 25	2	∅ 9	10
OUT	-	2.5 ÷ 16	2.5 ÷ 16	5	∅ 6.8	6
OUT	-	2.5 ÷ 10	2.5 ÷ 10	4	∅ 6.1	3
I _{cw} (kA)	21.3					
I _{pk} (kA)	51.5					
U _i (V)	1000					

I_{cc pk} = Short-circuit current peak value expressed in kA

I_{cw} = Effective value of short-circuit current, duration equal to 1 second, expressed in kA as per standard IEC 947-7-1

U_i = Nominal Insulation voltage

*See COFLEX technical features



Technical Features

Insulating body: PA 66 UL 94-V0, gray RAL 7035.

Cover: PC UL 94-V0, transparent yellow

Conduction block: Brass

Clamps: Galvanized steel and Al alloy

Screws: Galvanized steel

Index protection IP20

Compliant with standard EN 60947-7-1

UL 1059 standard recognized.