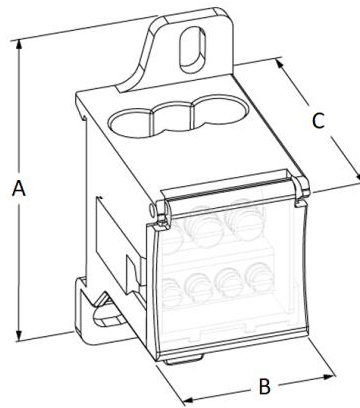


Product Datasheet

RPU2995



Main

Family	Compact Distribution Blocks	
Version	1 Pole	
Code	RPU2995	
Reference	RPU 80-6 S	
Number per package	1	
In(A)	IEC/EN	80 A
	UL	85 A
Weight (Kg)	0.071	
A (mm)	66	
B (mm)	30	
C (mm)	46	

Disclaimer: This documentation is not intended as a substitute for and is not to be used for determining suitability or reliability of these products for specific user applications

Technical Data

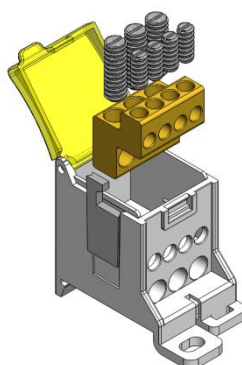
Type	1 Pole 6 outputs 80 A					
80 A	COFLEX* L(mm)	Stripped wire (mm ²)	Wire with ferrule (mm ²)	No.	Dim. (mm)	Torque (Nm)
Input	-	6 ÷ 16	6 ÷ 16	1	Φ 6.8	2
Output	-	2.5 ÷ 16	2.5 ÷ 16	2	Φ 6.8	2
Output	-	2.5 ÷ 16	2.5 ÷ 16	4	Φ 4.5	1
I _{cw} (kA)	3					
I _{pk} (kA)	22					
U _i (V)	1000					

I_{cc pk} = Short-circuit current peak value expressed in kA

I_{cw} = Effective value of short-circuit current, duration equal to 1 second, expressed in kA as per standard IEC 947-7-1

U_i = Nominal Insulation voltage

*See COFLEX technical features



Technical Features

Insulating body: PA 66 UL 94-V0, gray RAL 7035.

Cover: PC UL 94-V0, transparent yellow

Conduction block: Tinned copper

Clamps: Galvanized steel and Al alloy

Screws: Galvanized steel

Index protection IP20

Compliant with standard EN 60947-7-1

UL 1059 standard recognized.