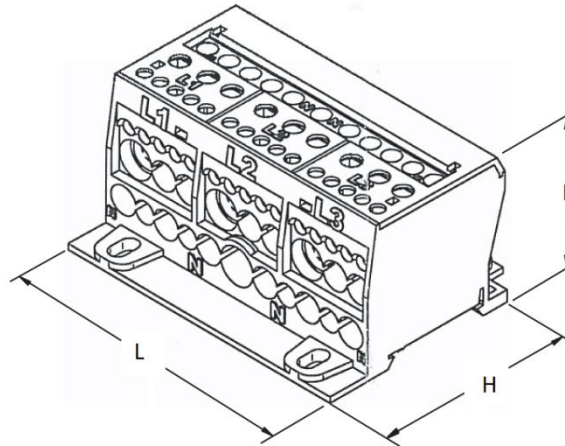


Product Datasheet

RPQ1025



Main

Family	Distribution Blocks
Version	4 Pole 100/125 A
Code	RPQ1025
Reference	RPQ C-125
Number per package	1
L (mm)	98
H (mm)	75
P (mm)	49
Fix. hole space (mm)	55

Disclaimer: This documentation is not intended as a substitute for and is not to be used for determining suitability or reliability of these products for specific user applications

Technical Data

Type	4 Pole 7 Outputs				
In: 100/125 A	Stripped wire (mm ²)	Wire with ferrule (mm ²)	No.	Dim. (mm)	Tight. Torque (Nm)
IN →	6 ÷ 35	6 ÷ 25	1	Ø 8.5	1.5
← OUT	1.5 ÷ 6	1.5 ÷ 6	5	Ø 4.5	0.8
← OUT	1.5 ÷ 16	1.5 ÷ 10	2	Ø 7	1.5
I _{cw} (kA)	4.2				
I _{pk} (kA)	24				
U _i (V)	1000				

I_{cc pk} = Short-circuit current peak value expressed in kA

I_{cw} = Effective value of short-circuit current, duration equal to 1 second, expressed in kA as per standard IEC 947-7-1

U_i = Nominal Insulation voltage



Technical Features

Brass conductors

Galvanized steel screws included

Insulation between phases

Self-extinguishing insulating structure: UL 94-V0

Quick hook-up on DIN rails

Compliant with standard IEC 947-7-1

Low voltage auxiliary equipment

Terminal boards for copper conductors