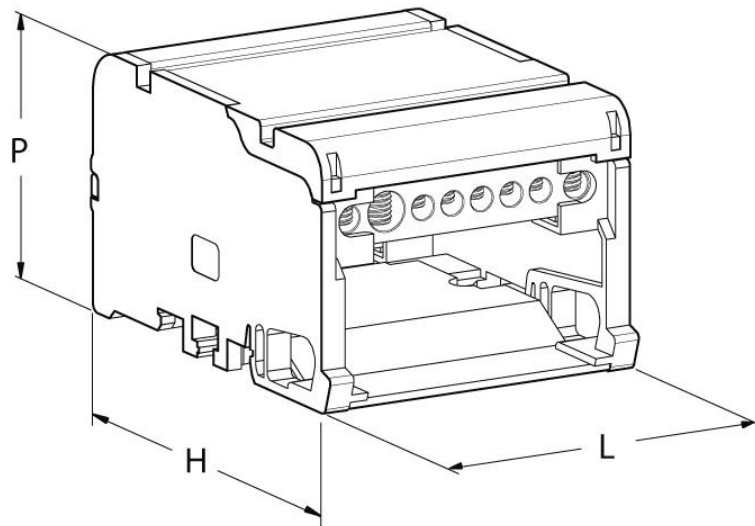


Product Datasheet

RPQ0980



Main

Family	Distribution Blocks
Version	4 Pole 80 A
Code	RPQ0980
Reference	RPQ 40-08
Number per package	1
L (mm)	66
H (mm)	84
P (mm)	50
Fix. hole space (mm)	45

Disclaimer: This documentation is not intended as a substitute for and is not to be used for determining suitability or reliability of these products for specific user applications

Technical Features

- Brass conductors
- Galvanized steel screws included
- Insulation between phases
- Front removable protection screen
- Self-extinguishing insulating structure: UL 94-V0
- Quick hook-up on DIN rails

Compliant with standard IEC 60947-7-1

- Low voltage auxiliary equipment
- Terminal boards for copper conductors

Technical Data

Type	4 Poles 8 Outputs				
In: 40 A	Stripped wire (mm ²)	Wire with ferrule (mm ²)	No.	Dim. (mm)	Torque (Nm)
IN →	2.5 to 6	1.5 to 6	1	Ø 5.5	1,2
← OUT	2.5 to 6	1.5 to 6	1	Ø 5.5	1,2
← OUT	1.5 to 4	1.5 to 4	4	Ø 4	0,5
← OUT	1.5 to 2.5	1.5 to 2.5	3	Ø 3	0,5
I _{cw} (kA)	2				
I _{pk} (kA)	15				
U _i (V)	1000				

I_{cc pk} = Short-circuit current peak value expressed in kA

I_{cw} = Effective value of short-circuit current, duration equal to 1 second, expressed in kA as per standard IEC 60947-7-1

U_i = Nominal Insulation voltage

Please contact Teknomega for non-specified tolerances.