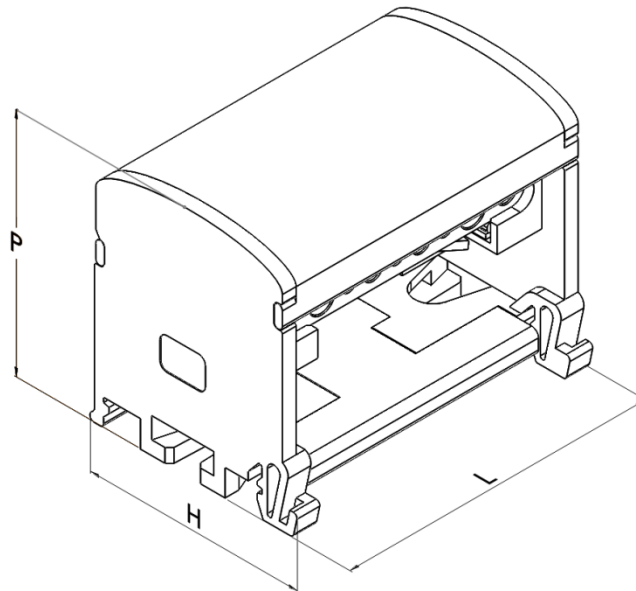


Product Datasheet

RPB1000



Main

Family	Distribution Blocks
Version	2 Pole 40 A
Code	RPB1000
Reference	RPB 125-06
Number per package	1
L (mm)	66
H (mm)	46
P (mm)	51
Fix. hole space (mm)	45

Disclaimer: This documentation is not intended as a substitute for and is not to be used for determining suitability or reliability of these products for specific user applications

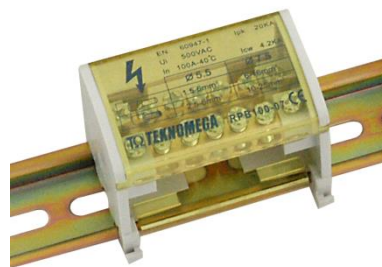
Technical Data

Type	2 Pole 6 Outputs				
In: 100/125 A	Stripped wire (mm ²)	Wire with ferrule (mm ²)	No.	Dim. (mm)	Tight. Torque (Nm)
IN →	10 ÷ 35	10 ÷ 25	1	Ø 9.0	2 - 3
← OUT	2.5 ÷ 6	1.5 ÷ 6	5	Ø 5.5	2 - 3
← OUT	10 ÷ 25	6 ÷ 16	1	Ø 7.5	2 - 3
I _{cw} (kA)	4.2				
I _{pk} (kA)	20				
U _i (V)	1000				

I_{cc pk} = Short-circuit current peak value expressed in kA

I_{cw} = Effective value of short-circuit current, duration equal to 1 second, expressed in kA as per standard IEC 947-7-1

U_i = Nominal Insulation voltage



Technical Features

Brass conductors

Galvanized steel screws included

Insulation between phases

Front removable protection screen

Self-extinguishing insulating structure : UL 94-V0

Quick hook-up on DIN rails

Compliant with standard IEC 947-7-1

Low voltage auxiliary equipment

terminal boards for copper conductors